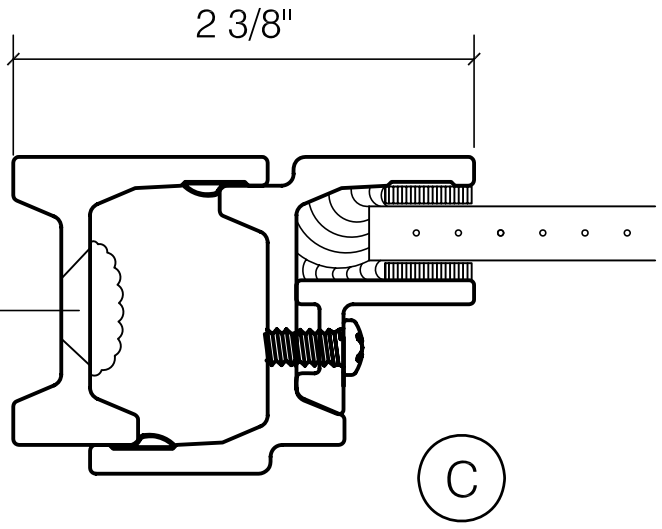
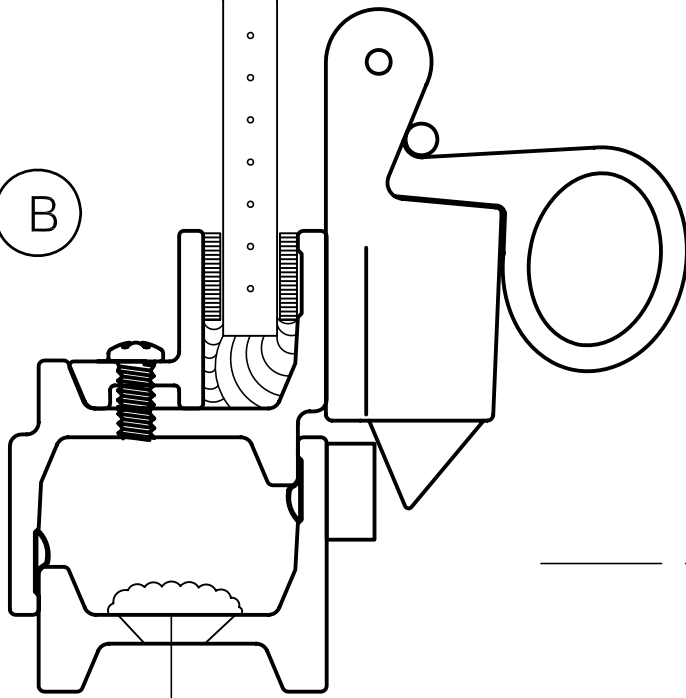



FIRE WINDOW FRAME
 SER. NO.
 3/4 HOUR FIRE RATING
 ALSO INVESTIGATED IN ACCORDANCE WITH UBC 7-4 (1997)
TORRANCE STEEL WINDOW CO., INC.
 1819 ABALONE AVE. TORRANCE, CA. 310-328-9181



TORRANCE STEEL WINDOW CO., INC.
 1819 ABALONE AVE. TORRANCE, CALIFORNIA 90501
 TEL: 310-328-9181 FAX: 310-328-7485

CENTURY 2000 SERIES FIRE RATED

1/4" WIRE GLASS

AWNING WINDOW