

38" O.W.D.

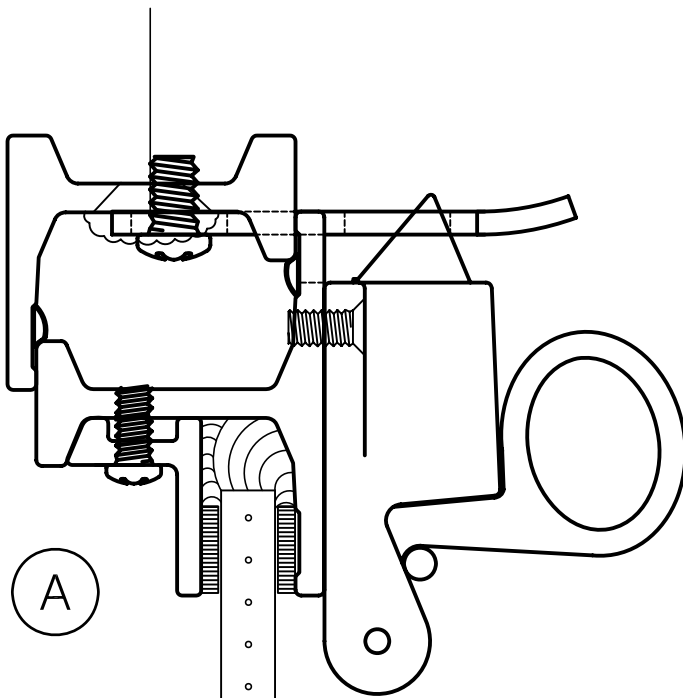
A

B

C

20 1/4"

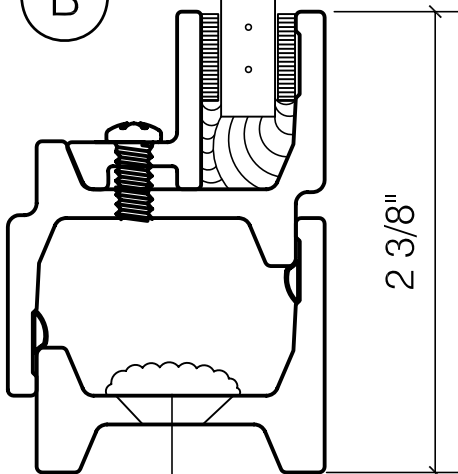
O.W.D.



A

B

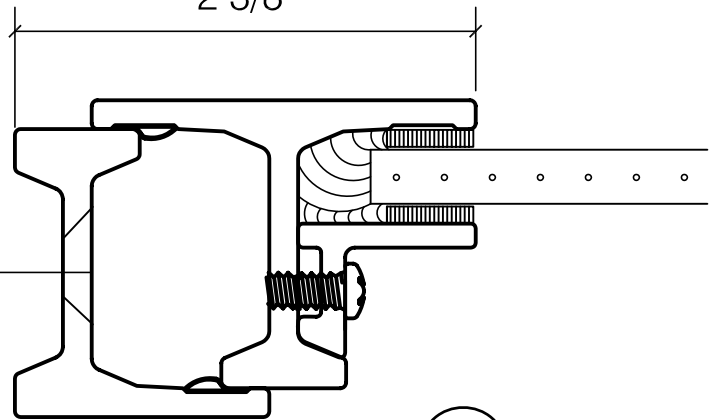
2 3/8"



cULus LISTED

FIRE WINDOW FRAME
 SER.NO.
 3/4 HOUR FIRE RATING
 ALSO INVESTIGATED IN ACCORDANCE WITH UBC 7-4 (1997)
TORRANCE STEEL WINDOW CO., INC.
 1819 ABALONE AVE. TORRANCE, CA. 310-328-9181

2 3/8"



C

TORRANCE STEEL WINDOW CO., INC.

1819 ABALONE AVE. TORRANCE, CALIFORNIA 90501

TEL: 310-328-9181

FAX: 310-328-7485

CENTURY 2000 SERIES FIRE RATED

1/4" WIRE GLASS

HOPPER WINDOW