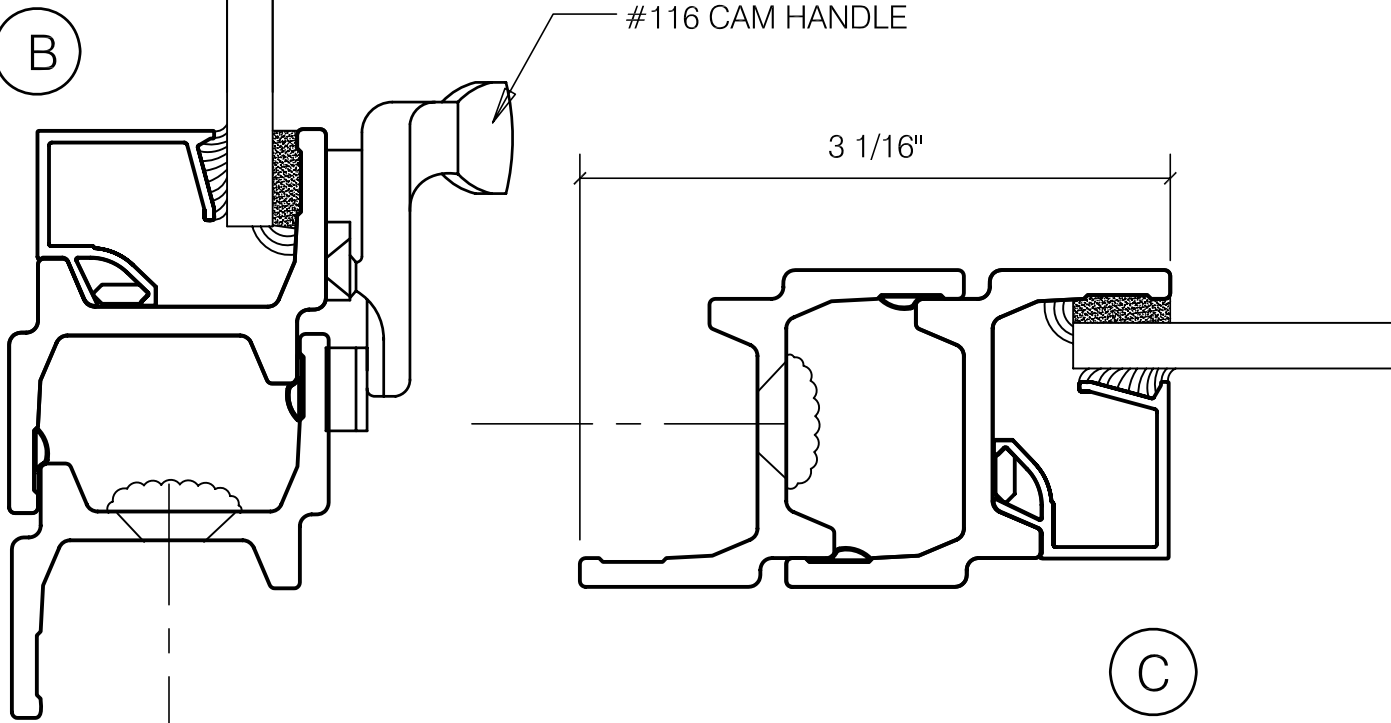


A

B

#116 CAM HANDLE



C

TORRANCE STEEL WINDOW CO., INC.

1819 ABALONE AVE. TORRANCE, CALIFORNIA 90501

TEL: 310-328-9181

FAX: 310-328-7485

CENTURY 2000 SERIES

1/4" GLASS

AWNING WINDOW