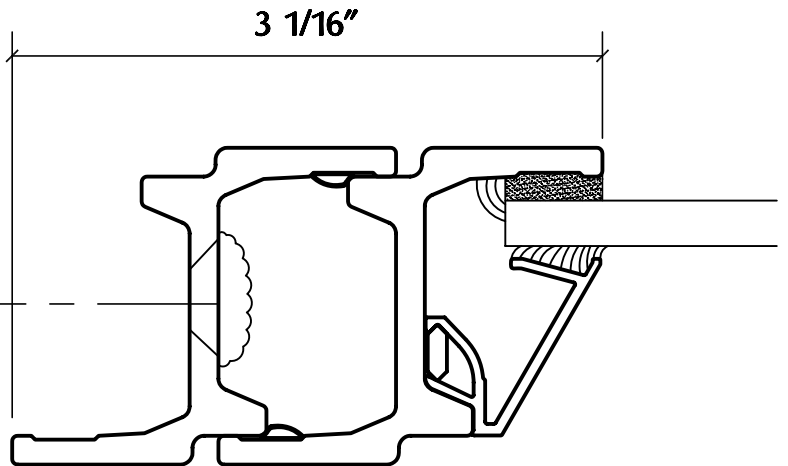


A

B

#116 CAM HANDLE



C

**TORRANCE STEEL WINDOW CO., INC.**

1819 ABALONE AVE. TORRANCE, CALIFORNIA 90501  
 TEL: 310-328-9181 FAX: 310-328-7485

CENTURY 2000 SERIES

1/4" GLASS

AWNING WINDOW