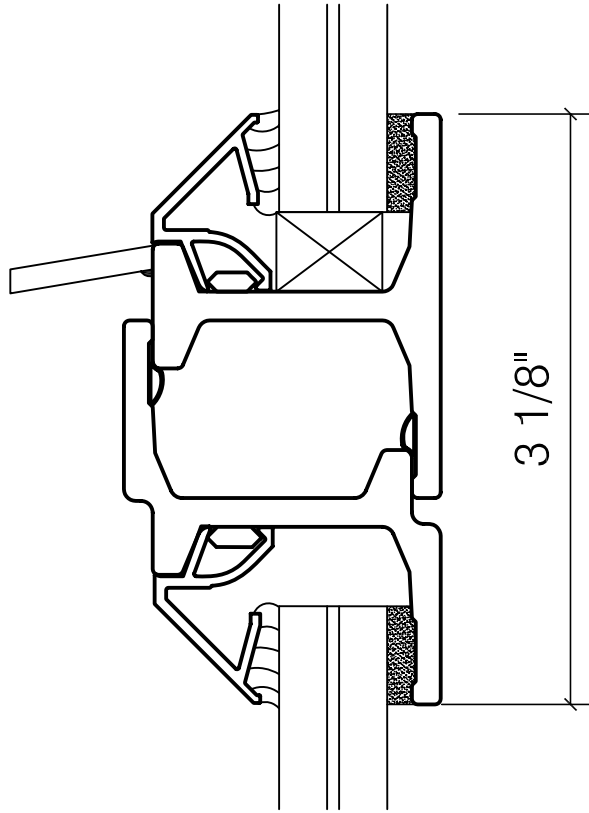
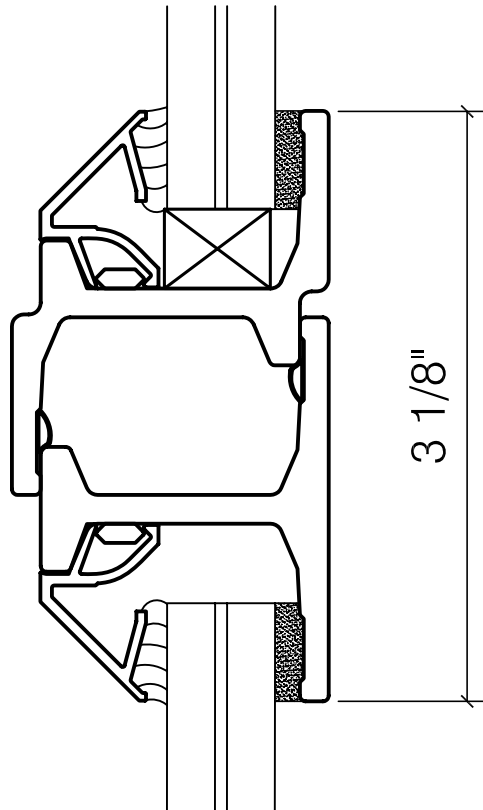


D



E



**TORRANCE STEEL WINDOW CO., INC.**

1819 ABALONE AVE. TORRANCE, CALIFORNIA 90501  
TEL: 310-328-9181 FAX: 310-328-7485

CENTURY 2000 SERIES

5/8" GLASS

DBL CASEMENT WINDOW