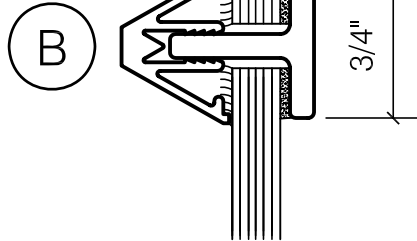
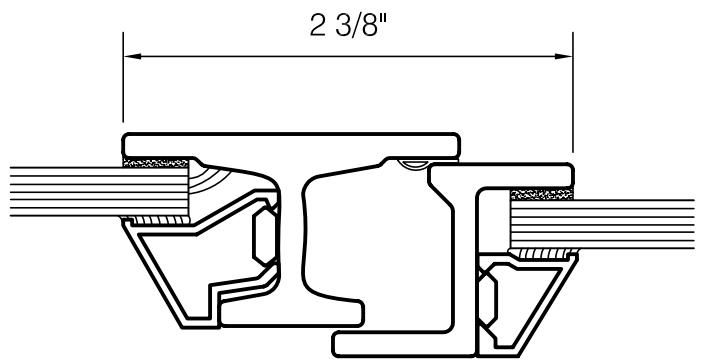
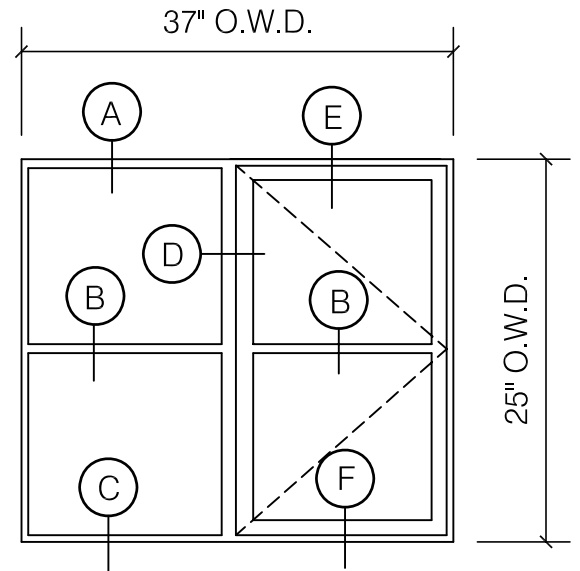
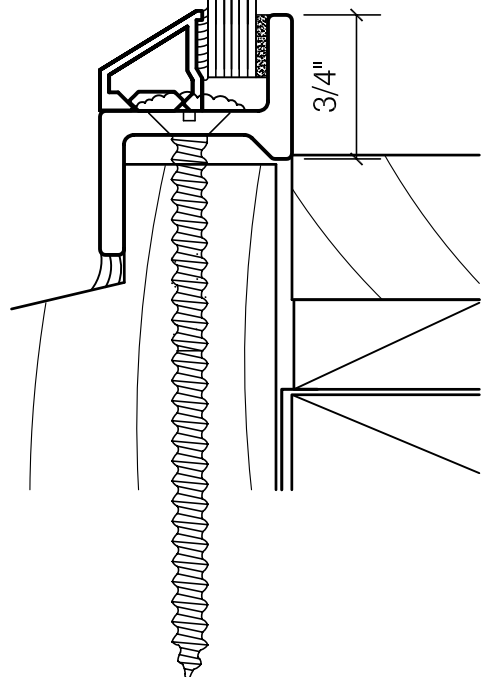


A



B

C



D

TORRANCE STEEL WINDOW CO., INC.

1819 ABALONE AVE. TORRANCE, CALIFORNIA 90501
 TEL: 310-328-9181 FAX: 310-328-7485

2600 SERIES

1/4" GLASS

FIX/CASEMENT WINDOW