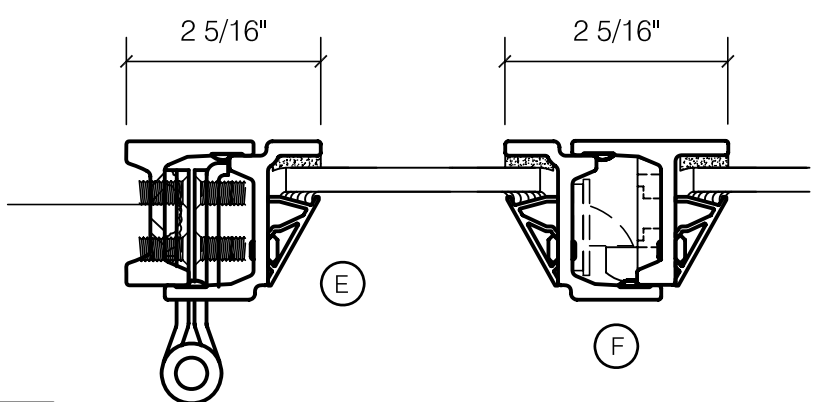


SWING-OUT



TORRANCE STEEL WINDOW CO., INC.
 1819 ABALONE AVE. TORRANCE, CALIFORNIA 90501
 TEL: 310-328-9181 FAX: 310-328-7485

JEFFERSON 1900 SERIES	
1/4" GLASS	SINGLE DOOR