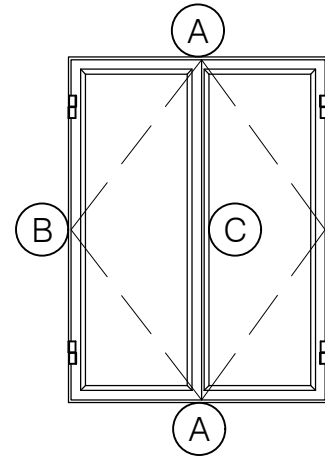
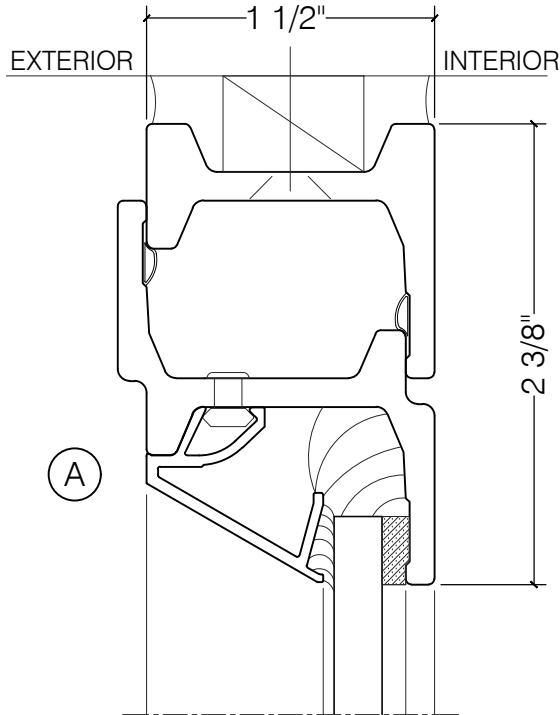


TORRANCE STEEL WINDOW CO., INC.

CENTURY 2000 - BLOCK FRAME



DOUBLE CASEMENT

$\frac{1}{4}''$ GLASS

