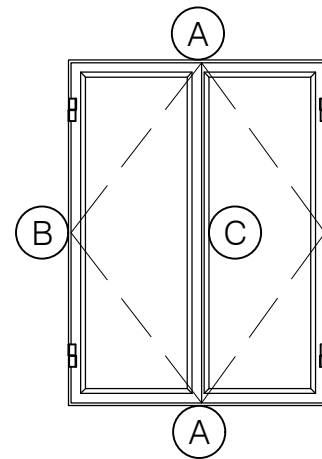
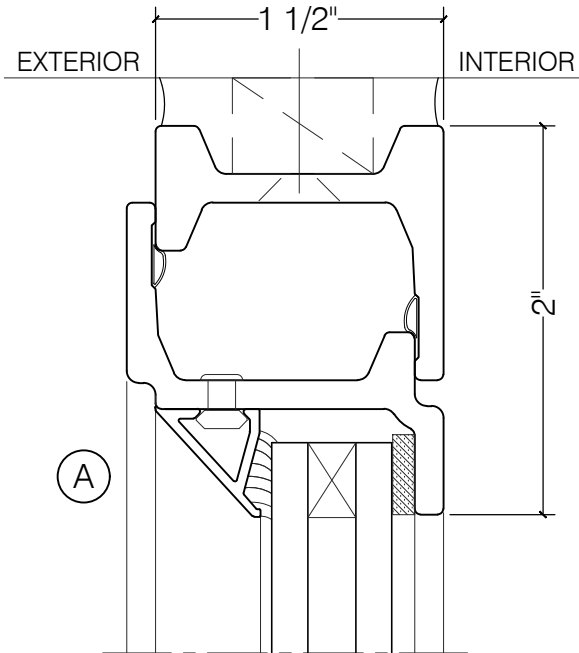


# TORRANCE STEEL WINDOW CO., INC.

## JEFFERSON 1900 DOUBLE CASEMENT - BLOCK FRAME



DOUBLE CASEMENT

$\frac{5}{8}''$  GLASS

