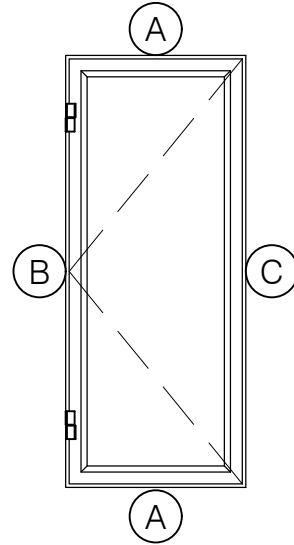
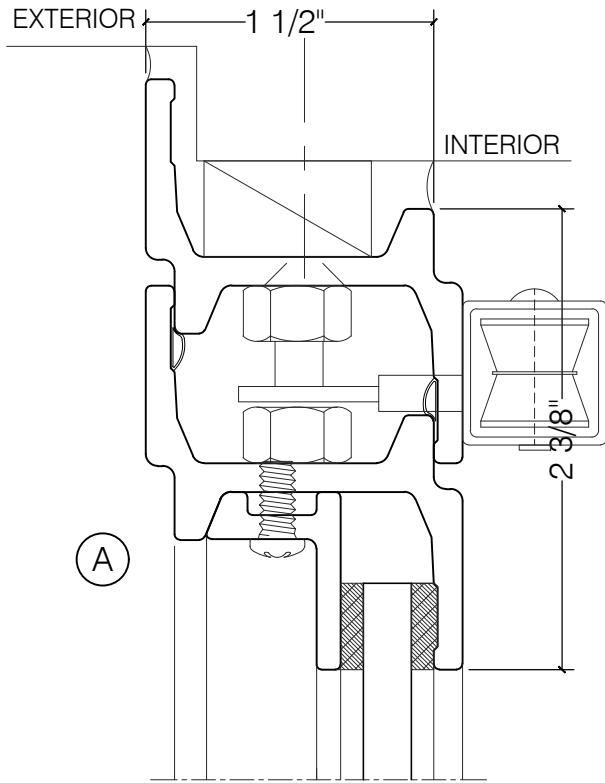


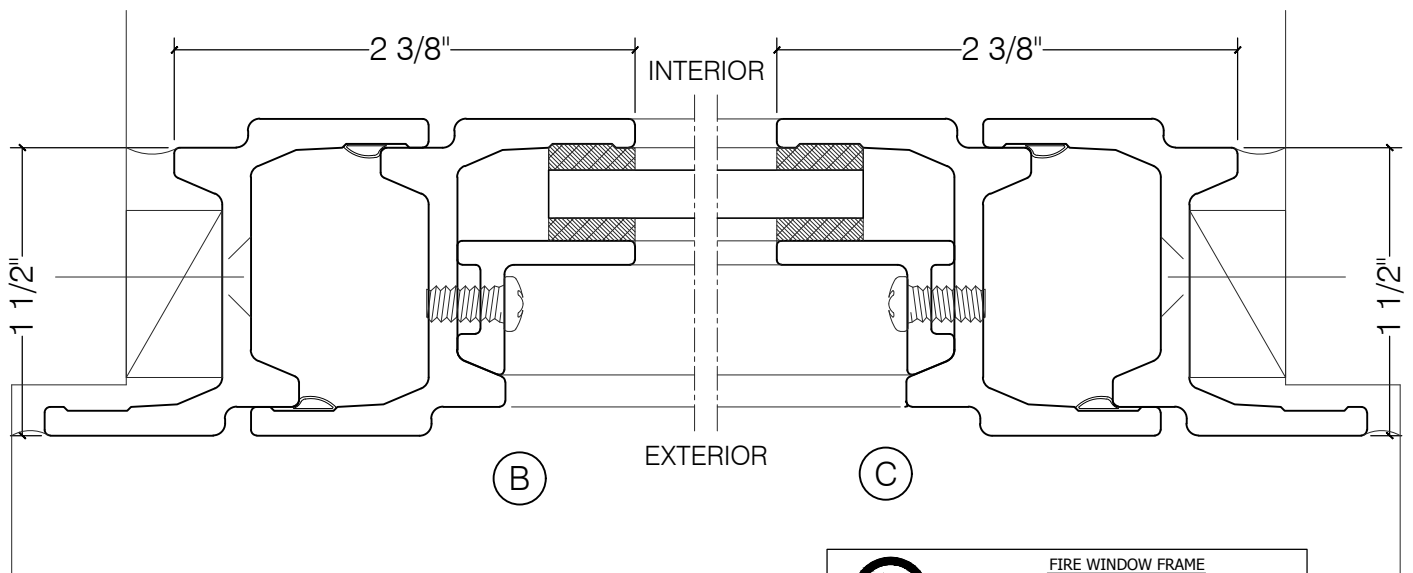
TORRANCE STEEL WINDOW CO., INC.

CENTURY 2000 - OUTSWING SINGLE CASEMENT



SINGLE CASEMENT

1/4" GLASS



UL LISTED

FIRE WINDOW FRAME
SER. NO. []
3/4 HOUR FIRE RATING
ALSO INVESTIGATED IN ACCORDANCE WITH UBC 7-4 (1997)
TORRANCE STEEL WINDOW CO., INC.
1819 ABALONE AVE. TORRANCE, CA. 310-328-9181