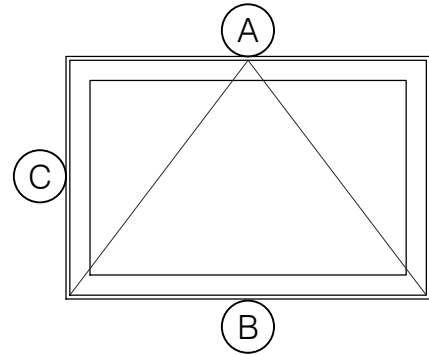
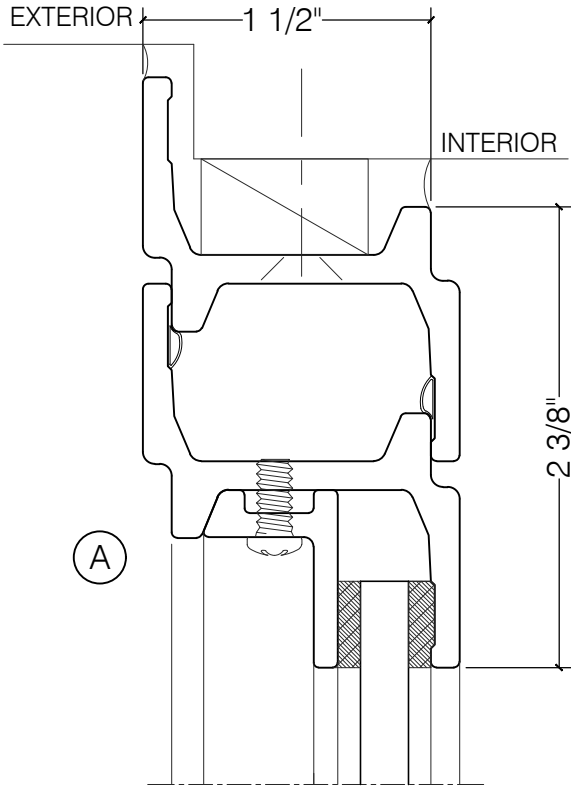


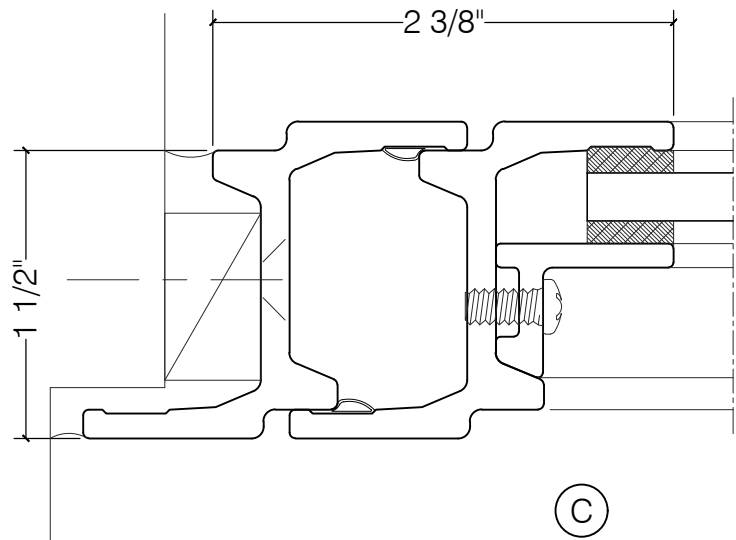
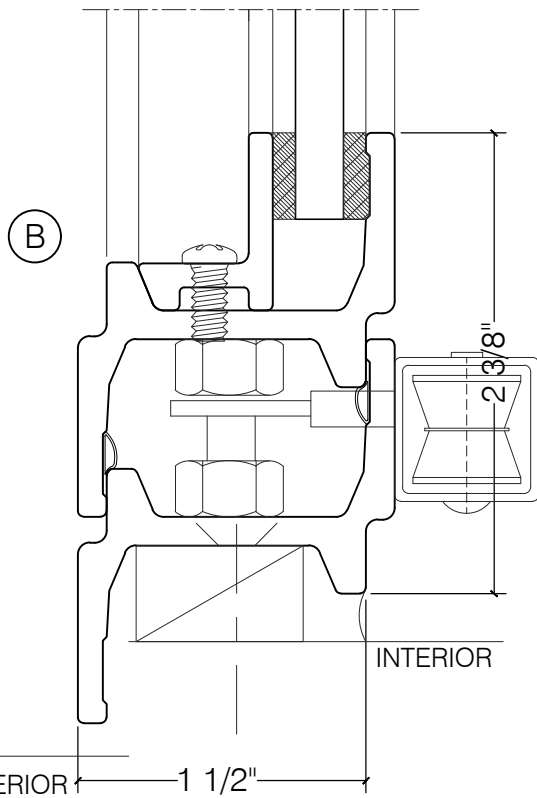
# TORRANCE STEEL WINDOW CO., INC.

## CENTURY 2000 - AWNING



AWNING

1/4" GLASS



**cULus**  
**LISTED**

FIRE WINDOW FRAME  
SER. NO. [ ]  
3/4 HOUR FIRE RATING  
ALSO INVESTIGATED IN ACCORDANCE WITH UBC 7-4 (1997)  
TORRANCE STEEL WINDOW CO., INC.  
1819 ABALONE AVE. TORRANCE, CA. 310-328-9181