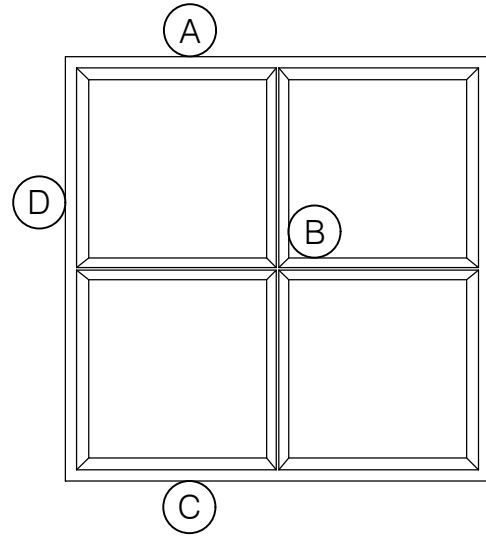
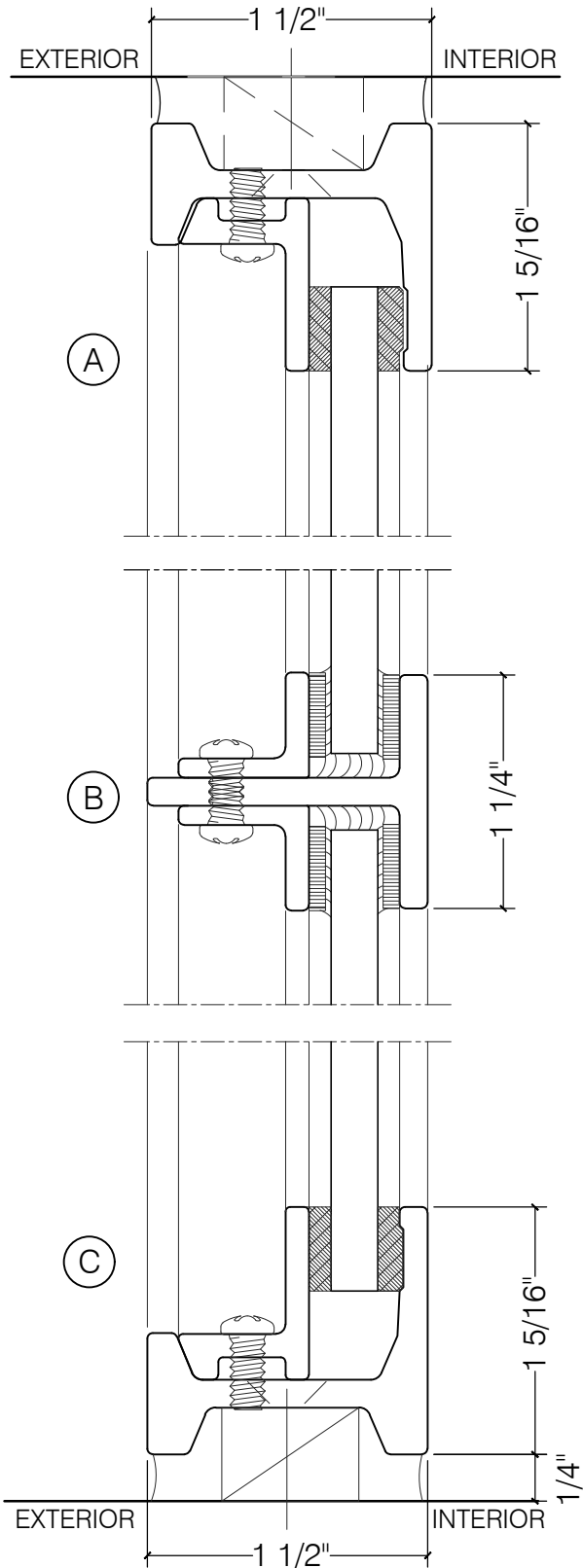
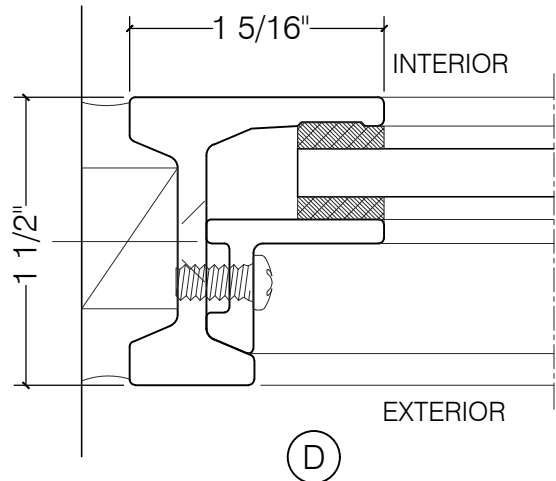


TORRANCE STEEL WINDOW CO., INC.

CENTURY 2000 FIXED SASH



FIXED
1/4" GLASS



	FIRE WINDOW FRAME
	SER. NO. <input type="text"/>
	3/4 HOUR FIRE RATING
	ALSO INVESTIGATED IN ACCORDANCE WITH UBC 7-4 (1997)
TORRANCE STEEL WINDOW CO., INC. 1819 ABALONE AVE. TORRANCE, CA. 310-328-9181	