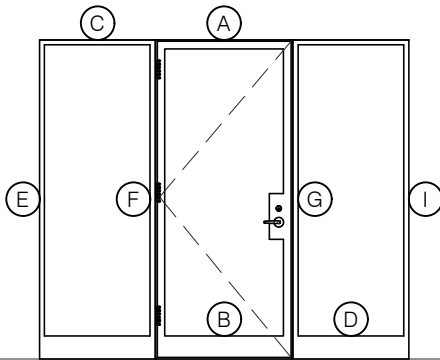
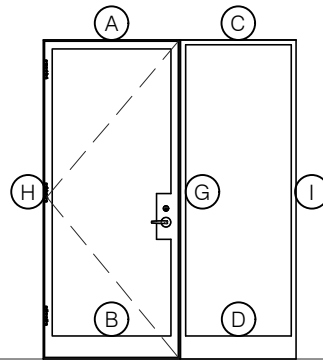


TORRANCE STEEL WINDOW CO., INC.

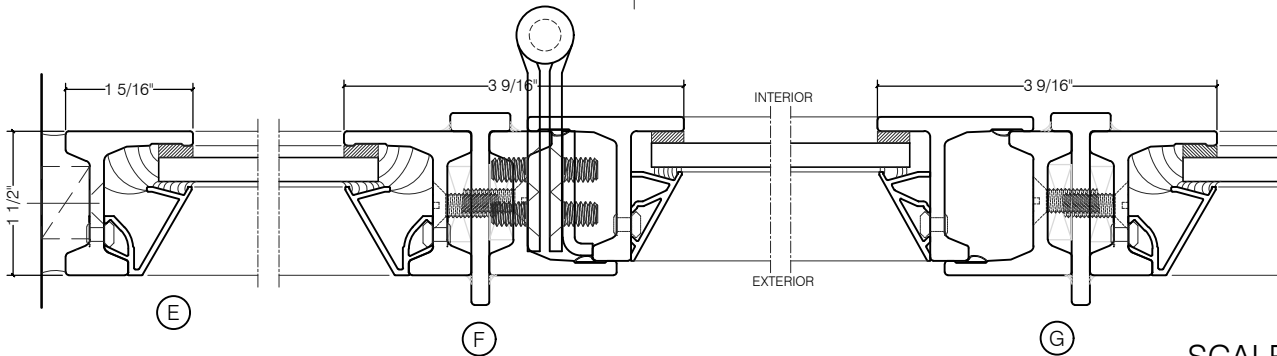
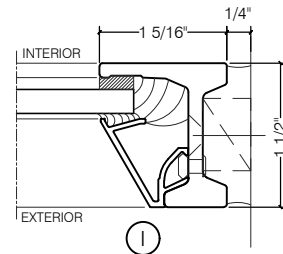
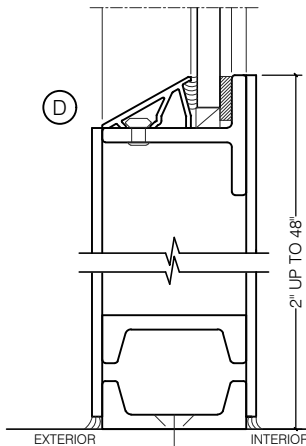
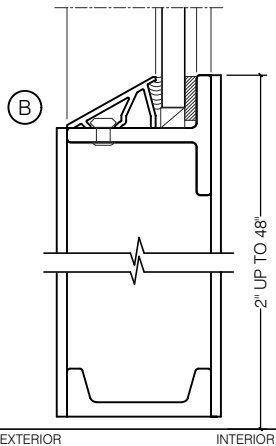
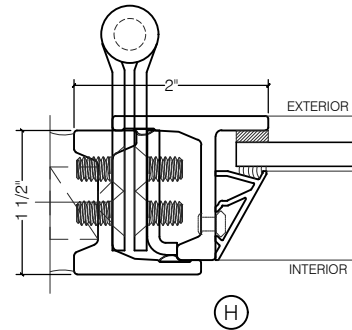
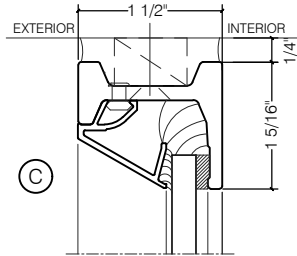
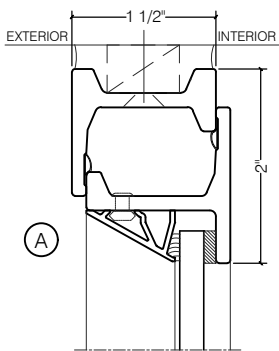
JEFFERSON 1900 - BLOCK FRAME



SWING IN
1/4" GLASS



SWING IN
1/4" GLASS



SCALE: 2:1