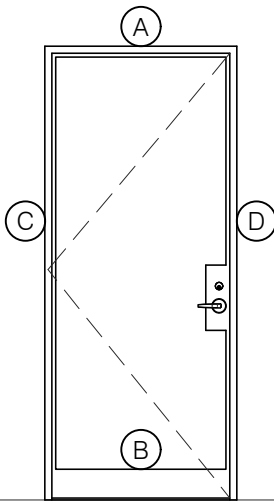
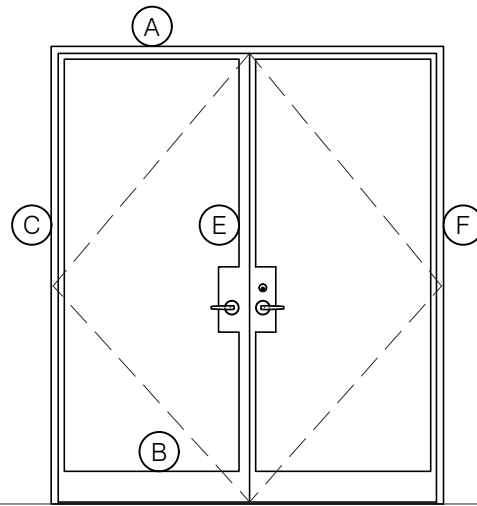


TORRANCE STEEL WINDOW CO., INC.

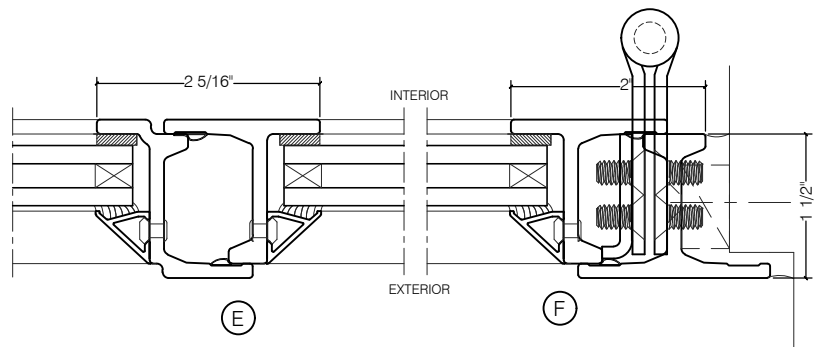
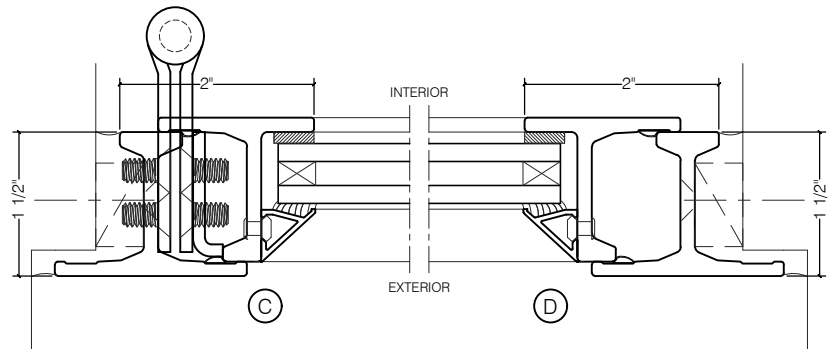
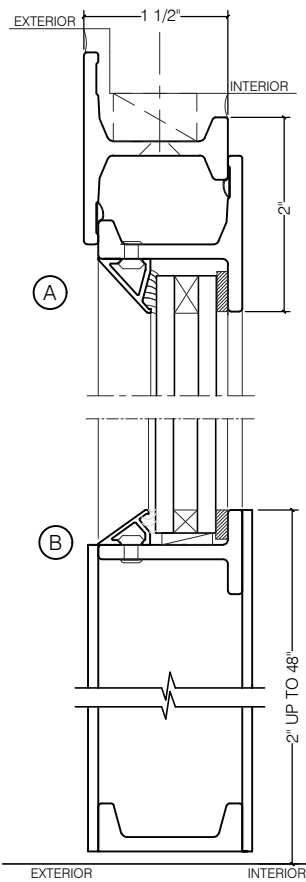
JEFFERSON 1900 DOORS - BLOCK FRAME



SWING IN
5/8" GLASS



SWING IN
5/8" GLASS



SCALE: 2:1